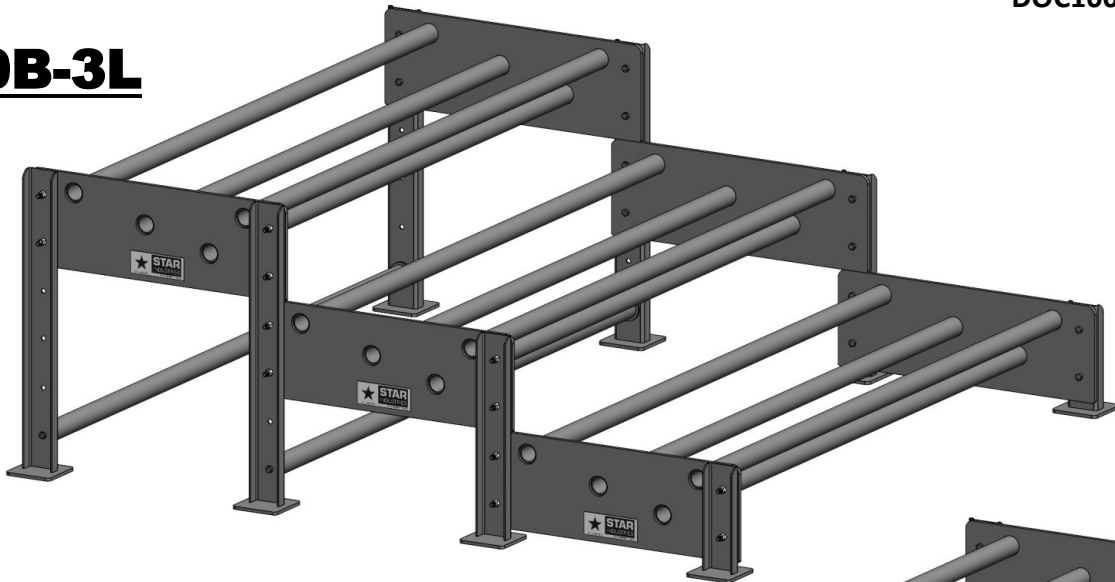


Excavator Bucket Rack

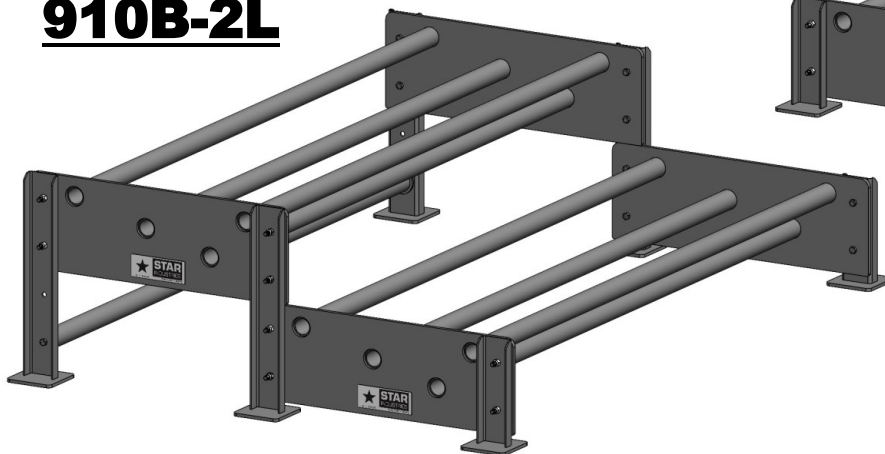
Instructions

DOC10000 REV-A

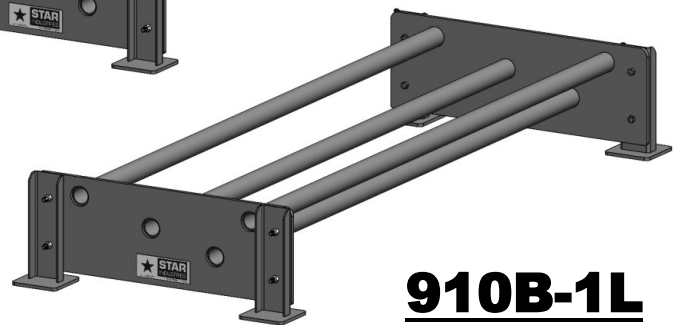
910B-3L



910B-2L



910B-1L

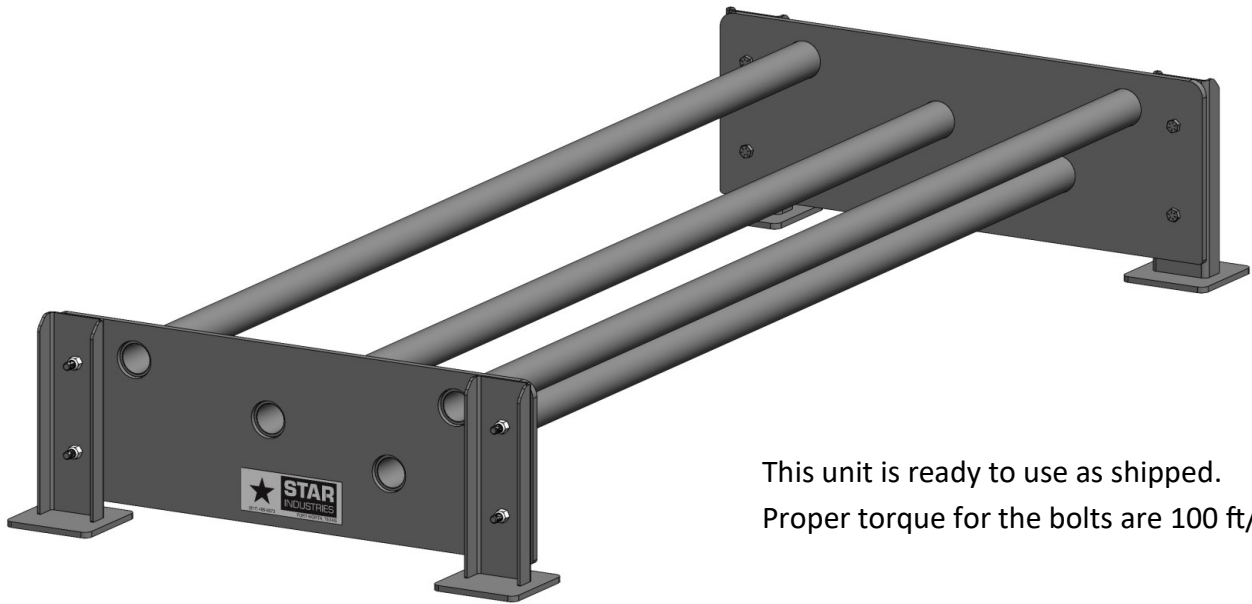


STAR
INDUSTRIES

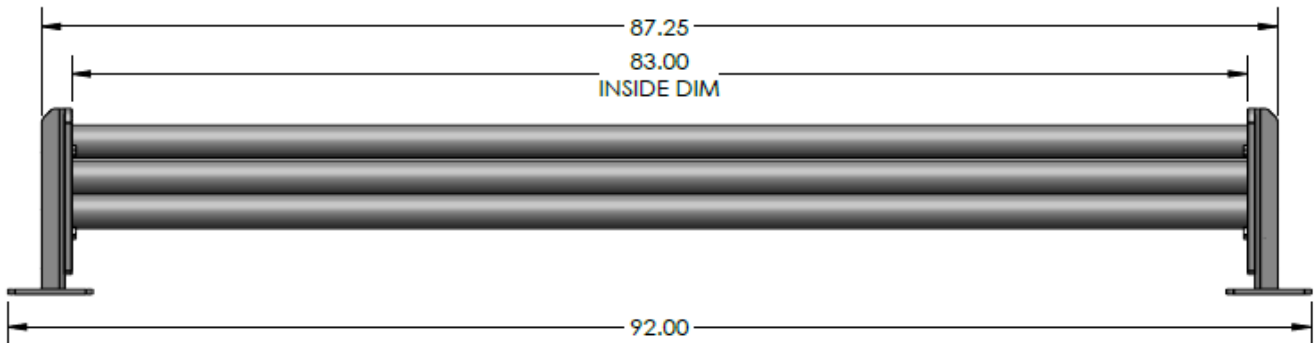
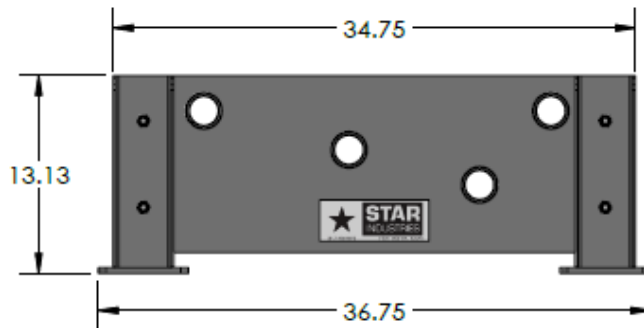
Phone: (800) 541-1797
(817) 485-6073
Fax: (817) 428-6008

4101 Garland Dr. Fort Worth, TX 76117 Email: mail@starindustries.com

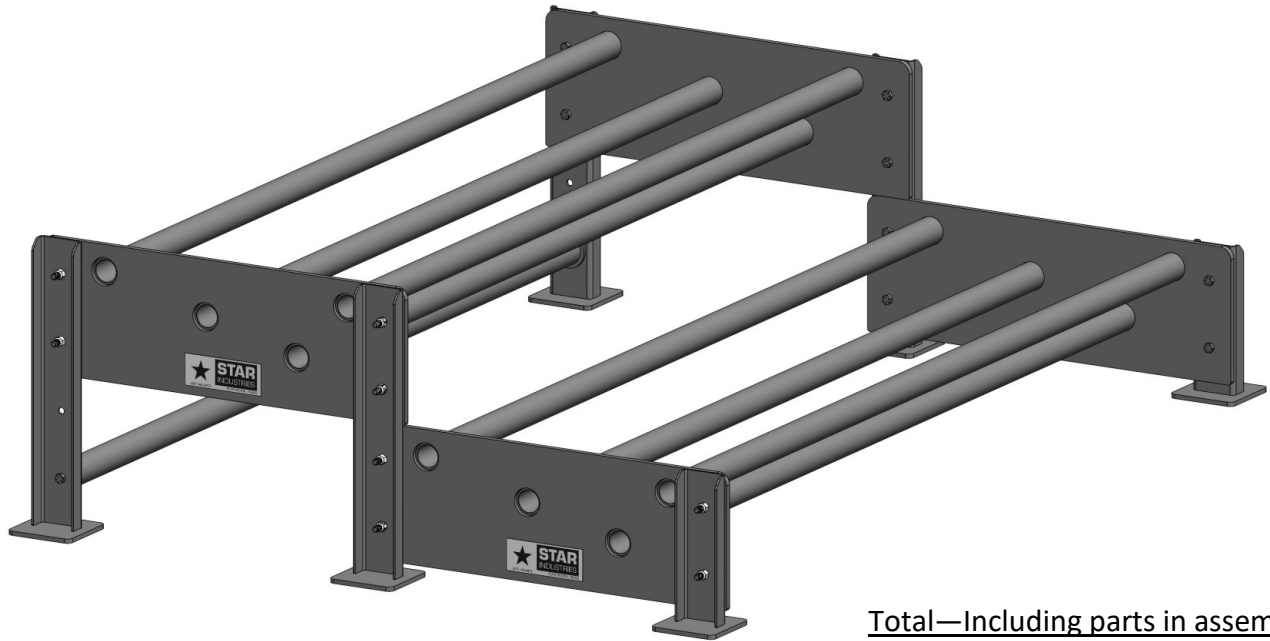
910-1L



This unit is ready to use as shipped.
Proper torque for the bolts are 100 ft/lbs.



910-2L



Total—Including parts in assembly

21—1/2" -13x2" Hex Bolt

19—1/2" -13 Hex Nuts

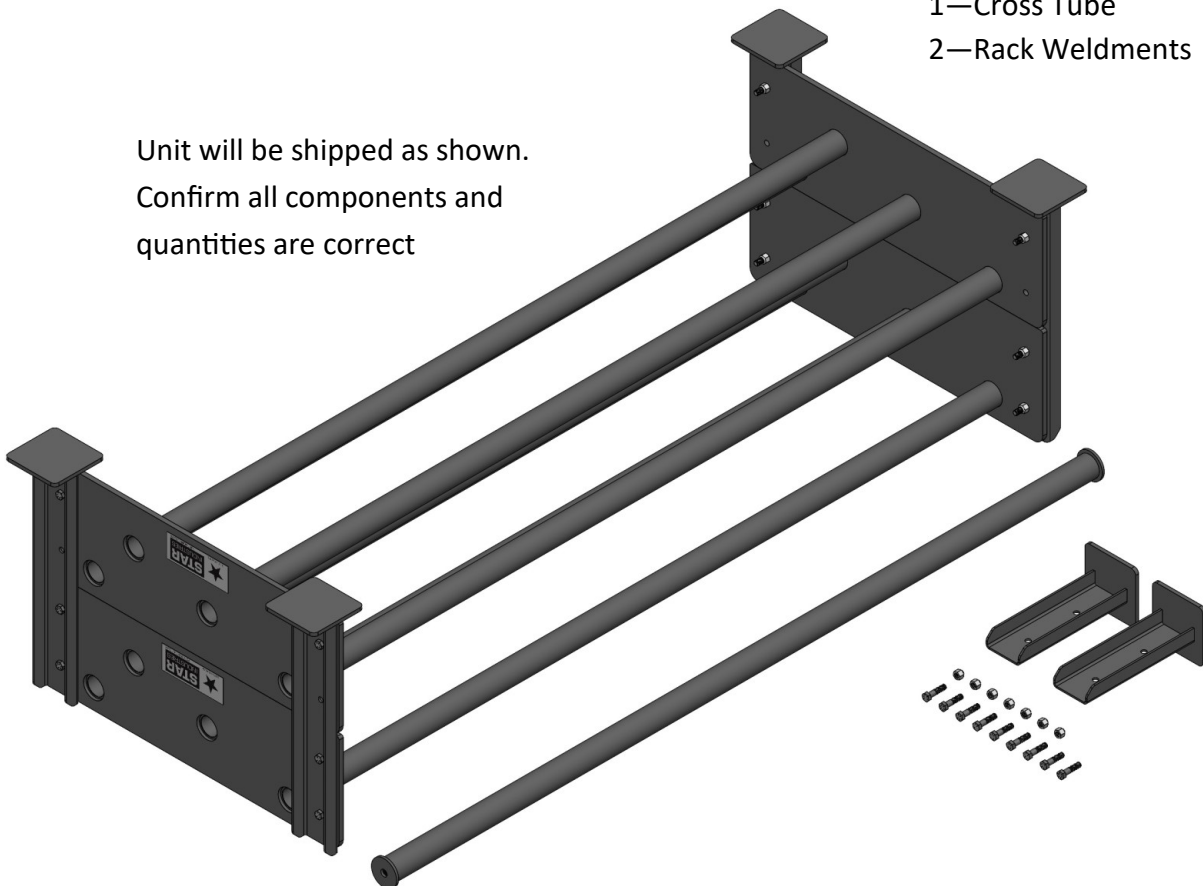
2—Level 1 Legs

4—Level 2 Legs

1—Cross Tube

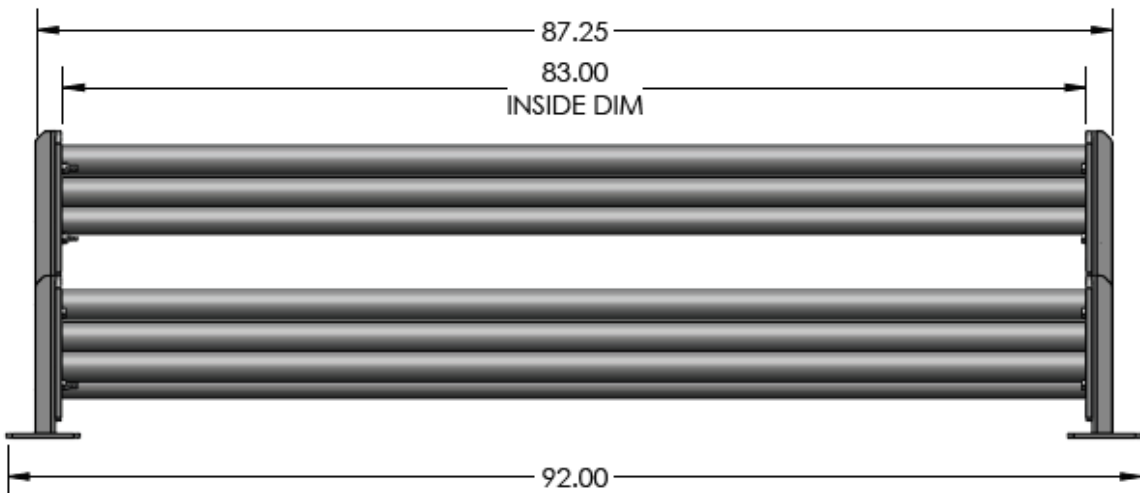
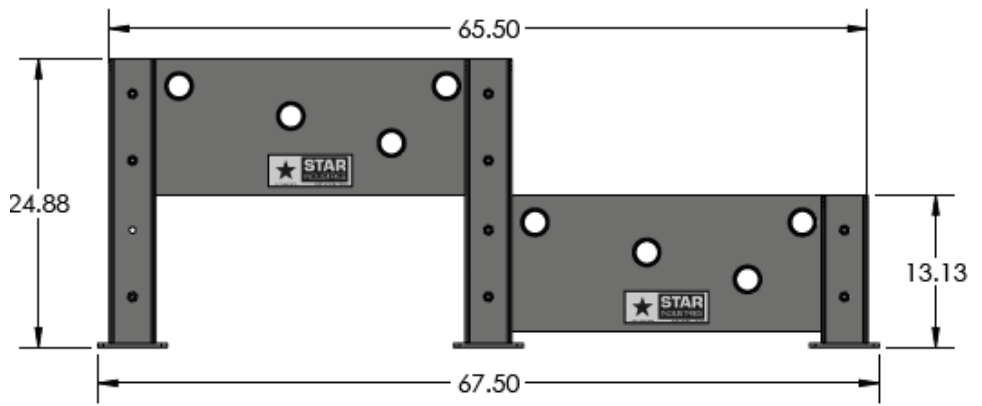
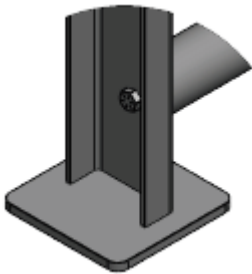
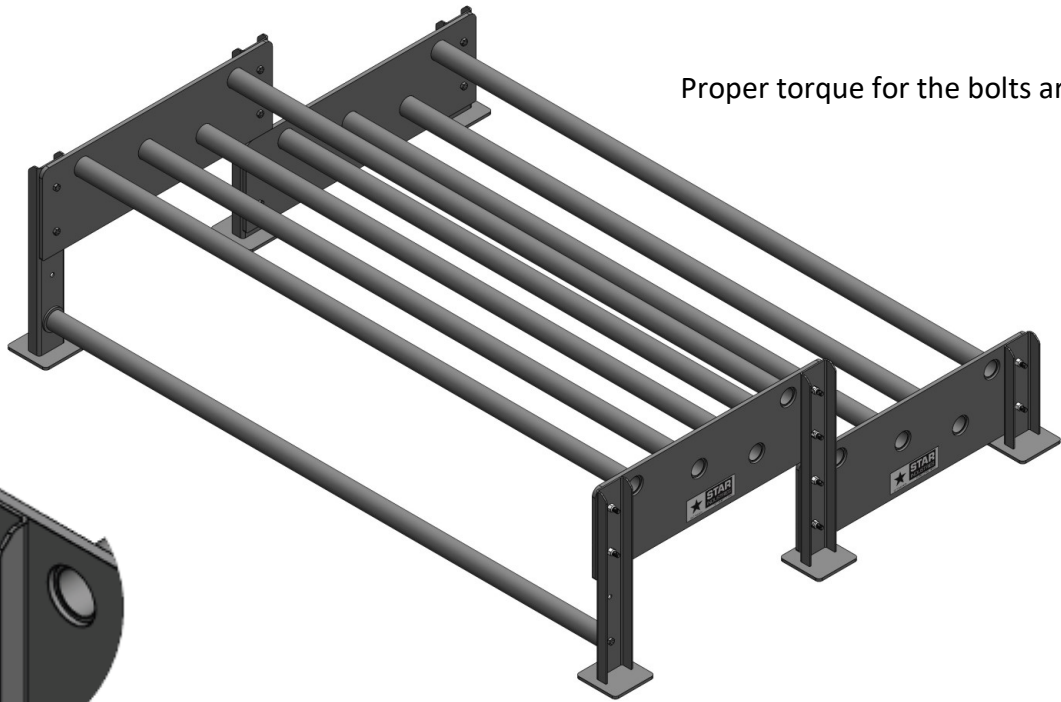
2—Rack Weldments

Unit will be shipped as shown.
Confirm all components and
quantities are correct

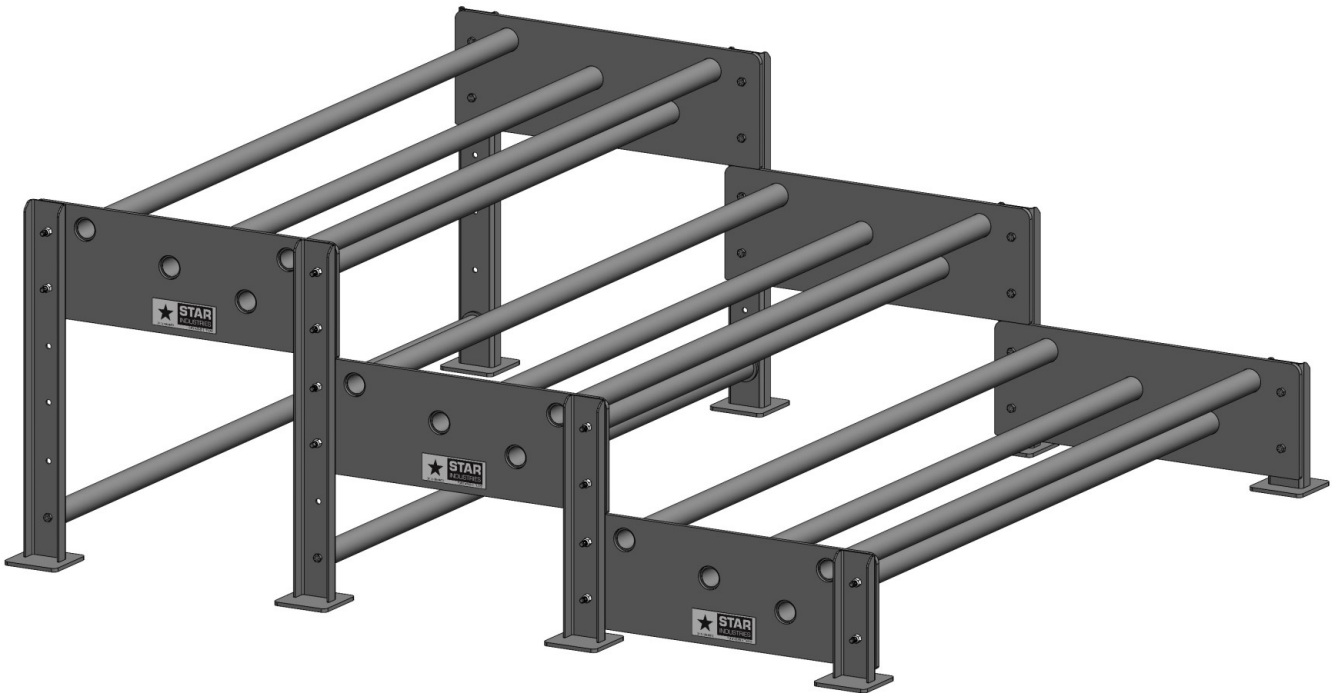


910-2L

Proper torque for the bolts are 100 ft/lbs.



910-3L



Unit will be shipped as shown.
Confirm all components and
quantities are correct

Total—Including parts in assembly

28—1/2"-13x2" Hex Bolt

24—1/2"-13 Hex Nuts

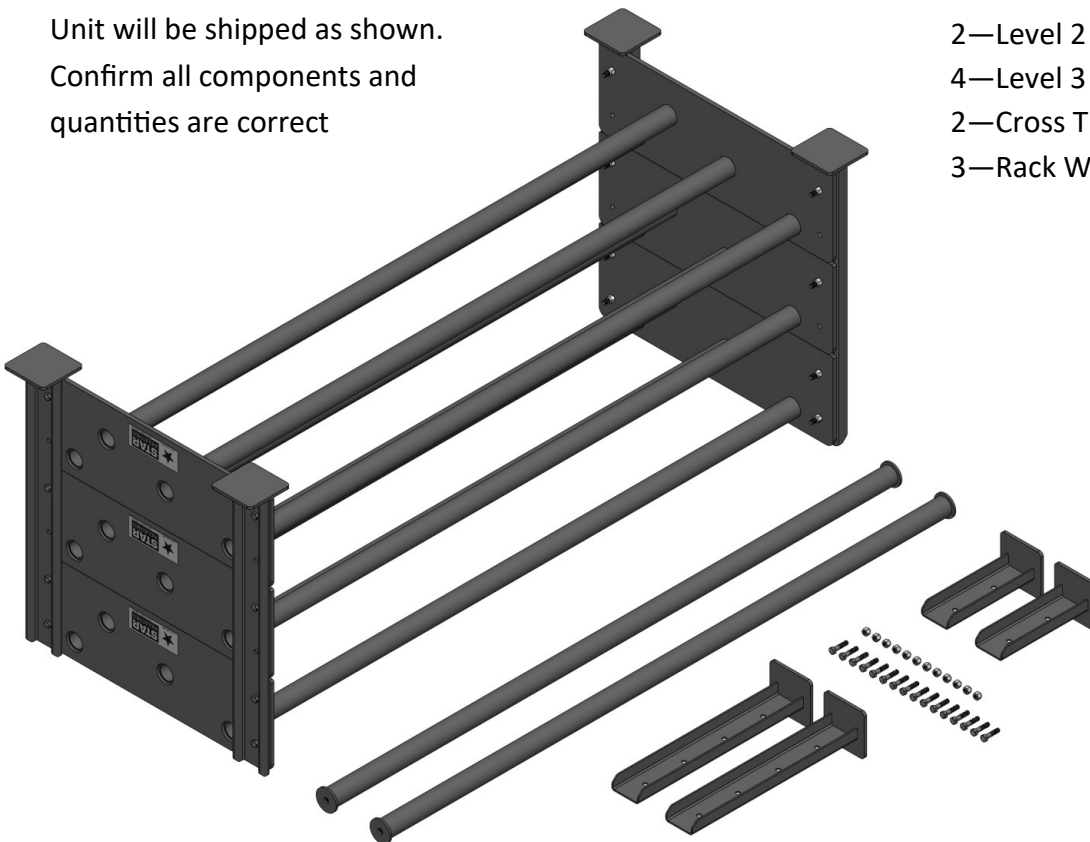
2—Level 1 Legs

2—Level 2 Legs

4—Level 3 Legs

2—Cross Tube

3—Rack Weldments



910-3L

Proper torque for the bolts are 100 ft/lbs.

