

**LP22A-72 LOW PROFILE  
72" SKID-STEER BUCKET**

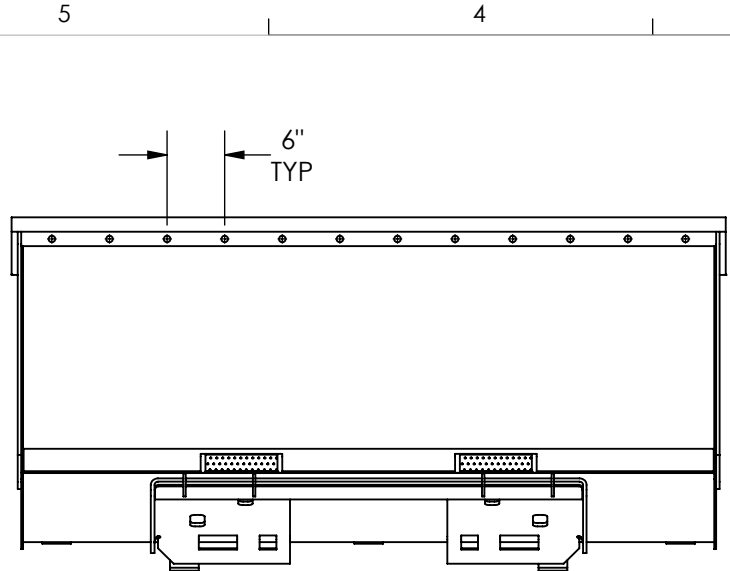
**PROPRIETARY AND CONFIDENTIAL**  
 THE INFORMATION CONTAINED IN THIS  
 DRAWING IS THE SOLE PROPERTY OF  
 STAR INDUSTRIES. ANY  
 REPRODUCTION IN PART OR AS A WHOLE  
 WITHOUT THE WRITTEN PERMISSION OF  
 STAR INDUSTRIES IS PROHIBITED.

UNLESS OTHERWISE SPECIFIED:		NAME	DATE
DIMENSIONS ARE IN INCHES	DRAWN	HI-TECH	12/19/2019
TOLERANCES: $\pm 1/16$	CHECKED		
FRACTIONAL $\pm$	ENG APPR.		
ANGULAR: MACH $\pm$ BEND $\pm$	MFG APPR.		
TWO PLACE DECIMAL $\pm$	Q.A.		
THREE PLACE DECIMAL $\pm$	COMMENTS:		
INTERPRET GEOMETRIC TOLERANCING PER:			
MATERIAL REFER PARTS DETAILS			
FINISH			
DO NOT SCALE DRAWING			

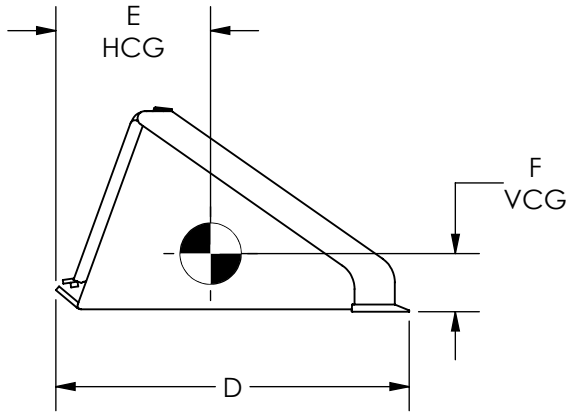
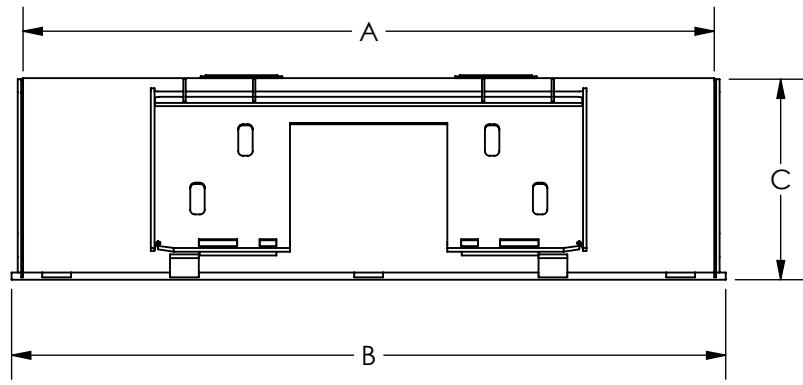
**STAR STAR INDUSTRIES**  
INDUSTRIES

TITLE:  
**LP22A-72 LOW PROFILE 72"  
 SKID-STEER BUCKET**

SIZE <b>A</b>	DWG. NO. LP22A-72-DLR	REV <b>0</b>
SCALE: 1:10	WEIGHT: 0.2484540.19 LBS	SHEET 1 OF 2



# LP22A-72 LOW PROFILE 72" SKID-STEER BUCKET



MODEL NO	A	B	C	D	E	F	HEAPED CAPACITY (CYD)	EMPTY WEIGHT
LP22A-72	72"	74 3/8"	20 7/8"	36 13/16"	16 1/8"	5 7/8"	0.788	540.19 LBS

SIZE <b>A</b>	DWG. NO. LP22A-72-DLR	REV <b>0</b>
SCALE: 1:20	WEIGHT: 540.19 LBS	SHEET 2 OF 2